



Lock Bracket Installation

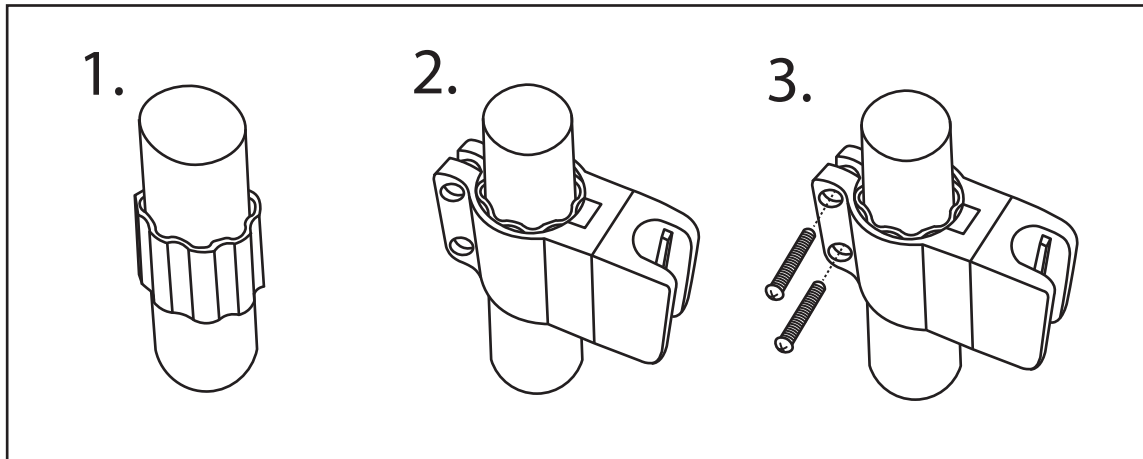
LK002

Please read all instructions before using your new lock.

Bracket Installation

Start by choosing where you would like your lock to be mounted to the frame of the bicycle. Be sure to check that it will not interfere with any cables, moving parts or your body while riding.

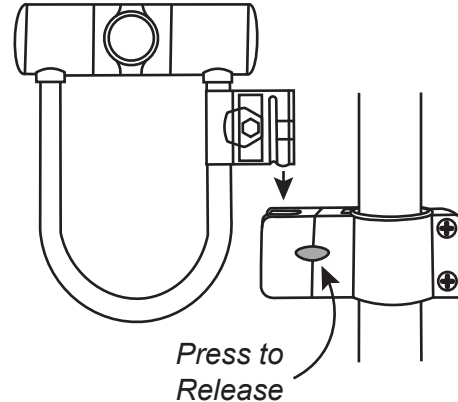
Following the steps below, install the bracket to the desired location using the provided hardware.



Mounting the Lock

Once the bracket is mounted, simply slide the attached portion on the lock into the bracket until it clicks into place.

To remove the lock from the bracket, press the button on the side of the mount.



Important Information

No lock is 100% theft proof. Most locks are designed to be a theft deterrent rather than a preventative measure. It is important to use the correct lock for the area and duration of time that a bike will be left unattended.

Whenever possible, locks should be used on both the frame and wheels of the bicycle being locked, and always be sure that the object the bike is being locked to cannot be easily moved or manipulated.

Sunlite and the manufacturers of this lock make no claims as to its security level or degree of theft prevention. Always use common sense when locking your bike.

SUNLITE